



1U height, ruggedized Keyboard Drawer with Trackball for 19" rack cabinet application, EIA-310C industrial standard

Industrial grade steel housing

84-key Keyboard

Easy to operate Trackball



Specification

Construction

- Standard Rackmount 1U 19" Heavy Duty Steel

Color

- Beige or Black

Keyboard & Mouse

- IBM PS/2 compatible operation system with PS/2 keyboard and Mouse ports

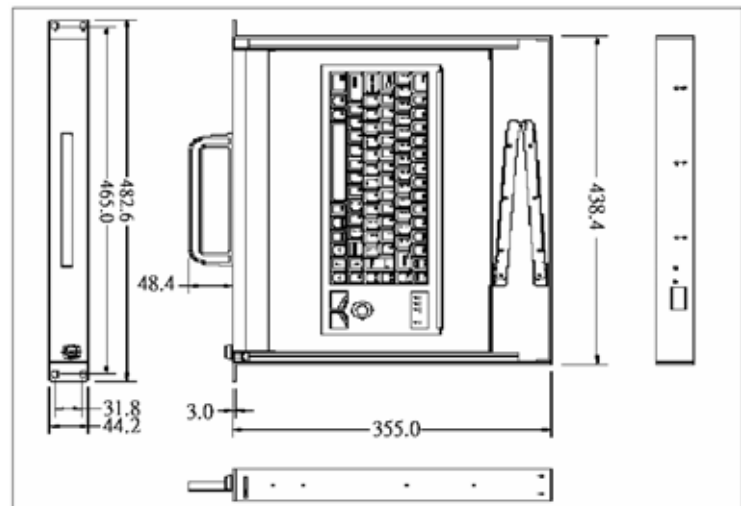
Dimension

- 438.4 (W) x 355 (D) x 44 (H) mm

Gross Weight

- 7Kgs

Mechanical Drawing



Ordering Information

KD-G84B-BLK 1U Keyboard drawer with Cherry Trackball,
Black color

KD-G84B-BGE 1U Keyboard drawer with Cherry Trackball,
Beige color

